

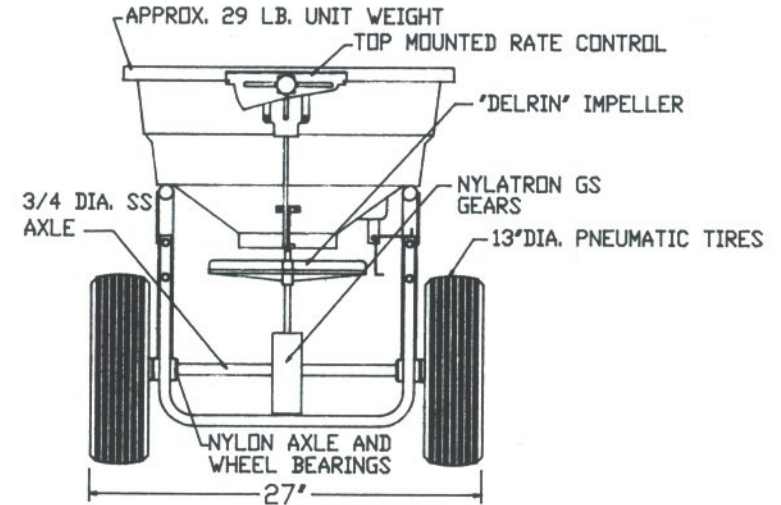
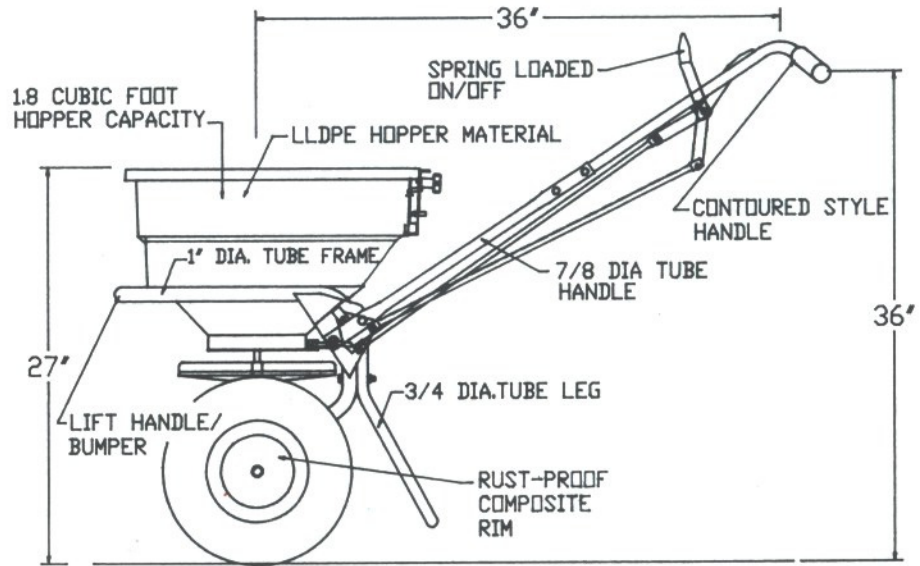


PrizeLAWN BisFOOT[®]
COMMERCIAL BROADCAST SPREADER

PrizeLAWN **BisFOOT**[®]

COMMERCIAL BROADCAST SPREADER

The PrizeLAWN **BisFOOT**[®] is a state of the art turf spreader designed with the applicator in mind. Its unique fingertip controls allow "on the go" changes of spread pattern and for terrain variation without stopping or stooping. The PrizeLAWN **BisFOOT**[®] is perfectly balanced on its 1" diameter frame and is supported by oversized wheels. Operators can maintain an even 2 1/2 MPH pace, reducing fatigue and improving productivity.



FEATURES

- ◆ **HOPPER MATERIAL** - Linear low density polyethylene for superior strength and flexibility with excellent cold impact, 3/16" wall thickness.
- ◆ **GEAR MATERIAL** - Nylatron GS, self-lubricating with superior wear characteristics.
- ◆ **AXLE & WHEEL BEARINGS** - Nylon 6/6, provides self-lubrication and excellent wear and load carrying performance.
- ◆ **METAL FINISH** - 5 stage iron phosphate pre-treatment with epoxy powder coating. Withstands 1,000 hour salt spray testing.
- ◆ **GEAR RATIO** - Set for optimum impeller speed at a walking speed of 2 1/2 MPH.
- ◆ **PATTERN CONTROL** - Allows operator to adjust the spread pattern without changing the application rate. Left port is remotely controlled at handle. Ice melt can be applied in a narrow band by closing both outside ports to minimize grass kill along sidewalks.
- ◆ **HANDLE** - Ergonomically contoured to reduce operator fatigue.
- ◆ **HOPPER PORTS** - Computer designed, three hole pattern.

OPTIONS

- ◆ **SIDE DEFLECTOR** - Allows operator to control pattern on the right side or to apply a heavy band of product along sidewalks, driveways, etc.
- ◆ **HOPPER COVER** - Clear center with reinforced outer edges.
- ◆ **STAINLESS STEEL** - Frame, handle, and leg.



PSB Company
555 West Goodale Street
P.O. Box 1089
Columbus, Ohio 43216-1089
614/228-5781
FAX: 614/221-9398
www.PSBCompany.com

Specifications subject to change without notice.